



IMI CORNELIUS INC.  
[www.cornelius.com](http://www.cornelius.com)

---

## HOTEL DISPENSER Model CHD22 /CHD30 Service Parts Manual



Publication Number: 631806054

Revision Date: October 6, 2008

Revision: B

Visit the IMI Cornelius web site at [www.cornelius.com](http://www.cornelius.com) for all your Literature needs.



# CHD22 and CHD30 Service Parts

This is the list of service parts and wiring diagrams for all versions of these two hotel dispensers.

Pay close attention to the voltage and/or cycles to be sure of ordering the correct part.

## Table of Contents

Front and Top Panels . . . . .	Page 2
CHD30 & CHD22 Front Panel . . . . .	Page 3
CHD30 and CHD30 Front Panel & Related Parts . . . . .	Page 4
Side, Back and Interior Panels . . . . .	Page 5
Dispensing Components . . . . .	Page 6
Ice Chute Mechanism . . . . .	Page 7
Ice Catch Pan . . . . .	Page 8
Control Box . . . . .	Page 9
Wiring Diagram, 115 volt, 60 Hz Basic and Water Station . . . . .	Page 10
Schematic Diagram, Basic and Water Station Models . . . . .	Page 11
Wiring Diagram, 230 volt, 50 Hz Basic . . . . .	Page 12
Wiring Diagram for Coin Mechanism Model . . . . .	Page 13
Schematic Diagram for Coin Mechanism Model . . . . .	Page 14

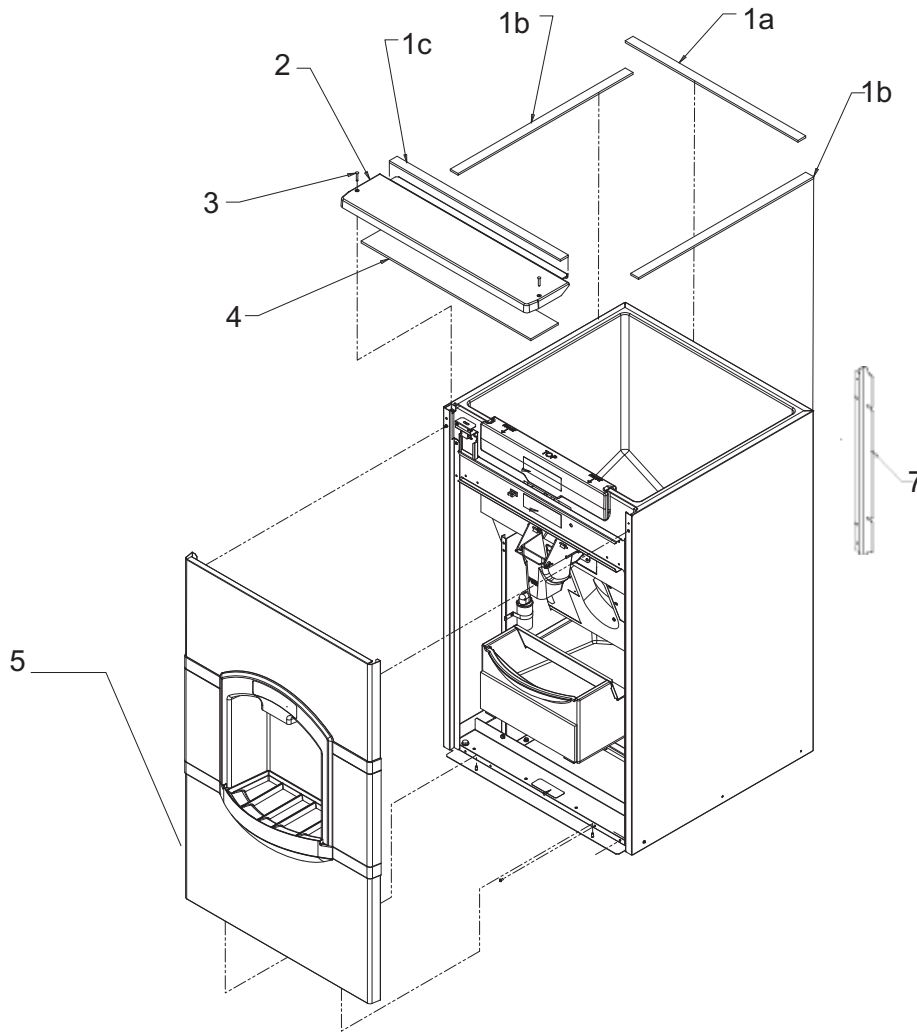
Website: [www.cornelius.com](http://www.cornelius.com)

Telephone Number

800-238-3600 All Departments

# CHD22 and CHD30 Service Parts

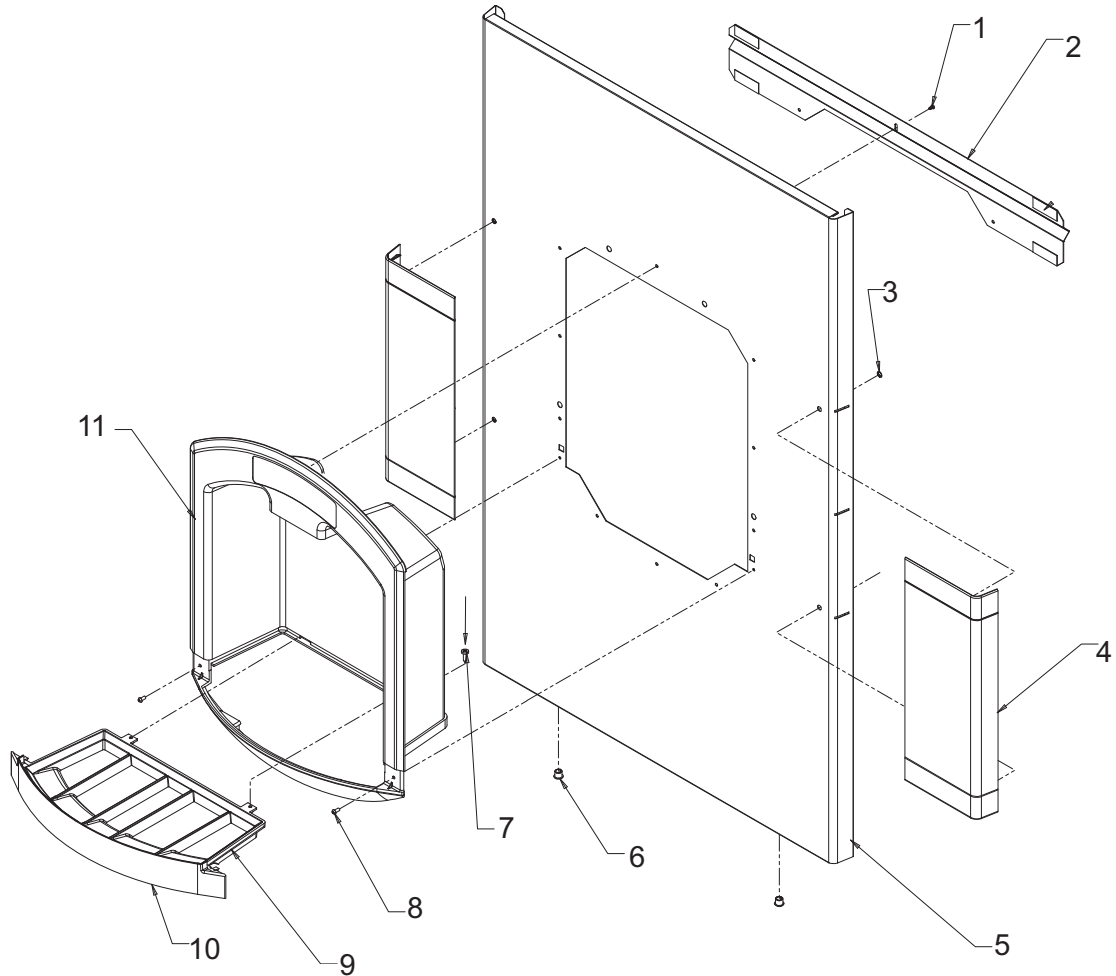
## Front and Top Panels



Item Number	Part Number	Description			
			5	See Page 3	CHD30B front panel
				See Page 3	CHD30N front panel
				See Page 3	CHD22 front panel
1	620204172	Gasket tape, order by ft.			
1a		Use 27.5" for CHD30, 19.5" for HD22			
1b		Use 27.88"	6	620204202	Ice Deflector 30 inch wide only
1c		Use 27.25" for CHD30, 19.25" for HD22			(NOT SHOWN)
2	620204214	CHD30 top panel			
	620204215	CHD22 top panel			
3	620204229	Top panel screw	7	620204730	30" mounting bracket
4	620204216	CHD30 panel insulation		620204192	22" mounting bracket
	620204217	CHD22 panel insulation	8	620204931	Legs (4 ea)

# CHD22 and CHD30 Service Parts

## CHD30B & CHD22B Front Panel

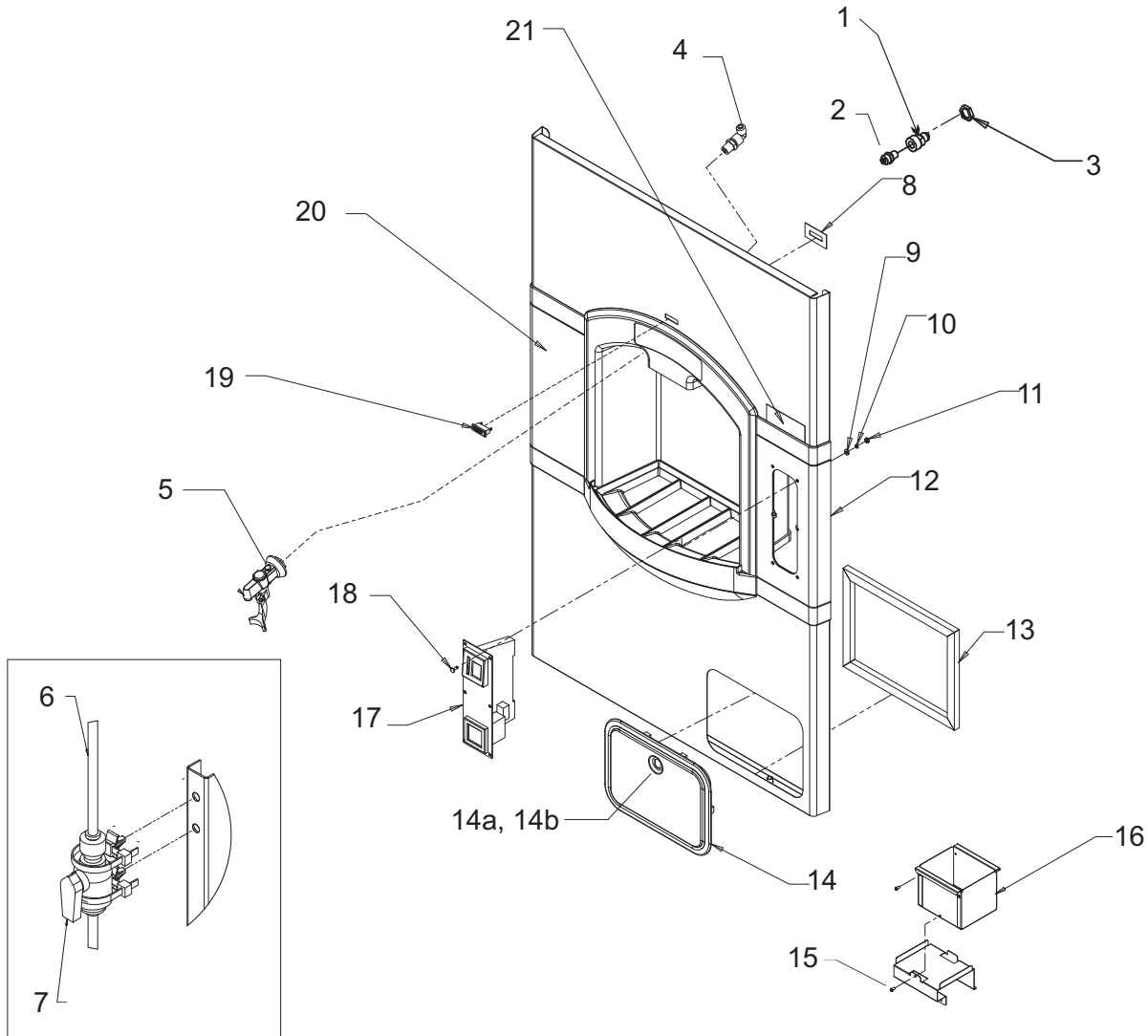


Item Number	Part Number	Description	Item Number	Part Number	Description
1	620204231	Screw	11a	620204207	CHD22, CHD30, CHD30 dispense housing
2	620204188	CHD30 stiffener	11b	620204715	CHD30 dispense housing
	620204189	CHD22 stiffener			
3	620204224	Retainer			
4	620204209	CHD30 side flange			
	620204210	CHD22 side flange			
5	<b>620204712</b>	<b>CHD30 Front panel*</b>			
	<b>620204713</b>	<b>CHD22 Front panel*</b>			
6	620204237	Snap bushing			
7	620204222	Screw			
8	620204720	Screw			
9	620204269	Foam gasket, 6" per side			
10	620204208	Grill			

\* includes items 1 thru 4

# CHD22 and CHD30 Service Parts

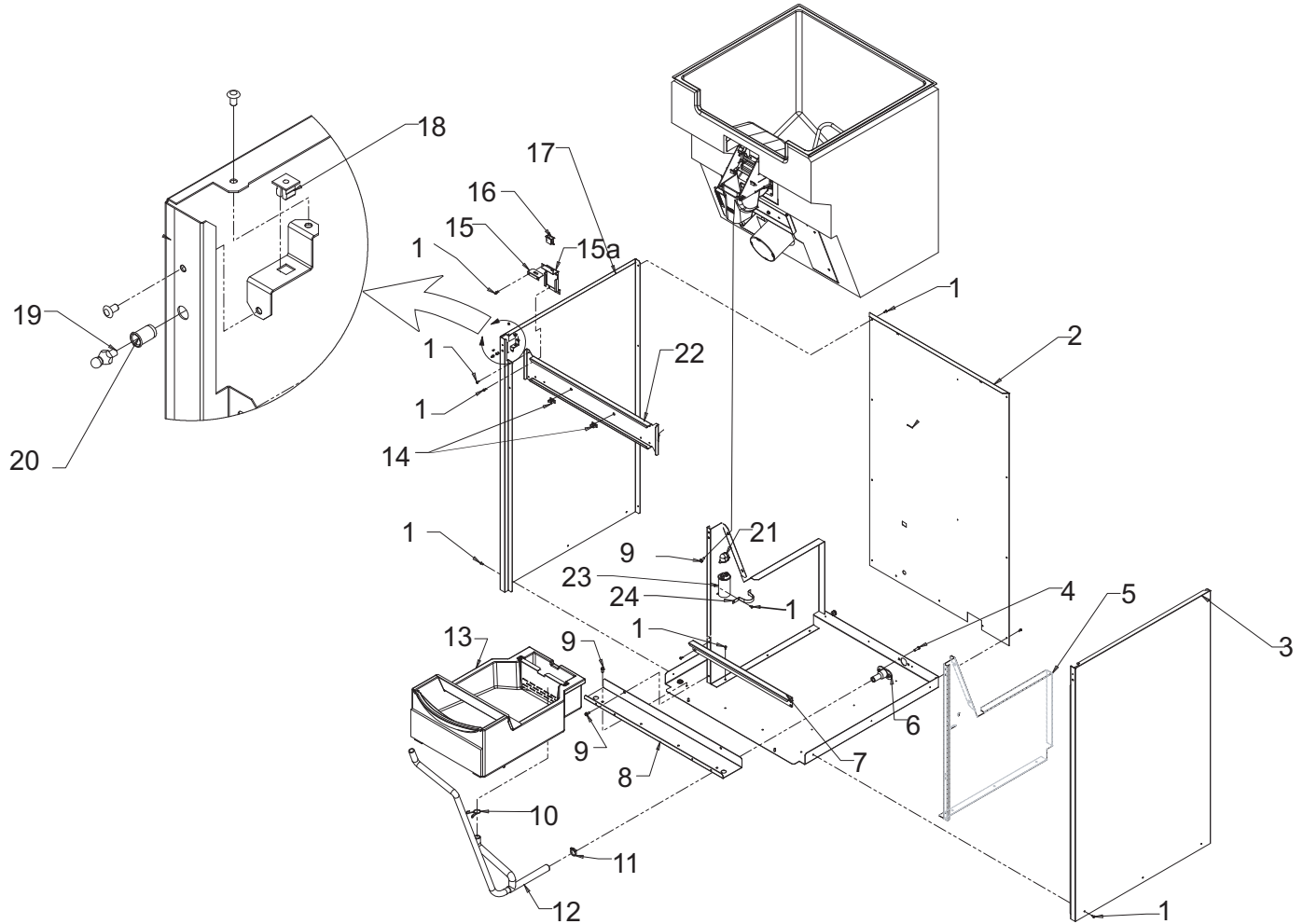
## CHD30N and CHD30W Front Panel & Related Parts



Item Number	Part Number	Description	Item Number	Part Number	Description
1	620204261	Water inlet fitting	12	620204719	Right side flange for coin mech model
2	620204262	Straight connector	13	620204173	Door shim
3	620204221	Pal nut	14	620204247	Door and lock
4	620204264	Male elbow connector	14a	620204251	Lock and key
5	620204213	Water faucet	14b	620204252	Key
6	620204258	Tubing, order per ft	15	620204720	Coin box screw
7	620204265	Shut off valve	16	620204195	Coin box
8	620204200	Indicator light backing	17	620204249	Coin mechanism
9	620204716	Washer for coin mech		620204250	Coin switch
10	620204717	Lockwasher	18	620204248	Mounting screw
11	620204718	Hex nut (8-32)	19	620204255	Ready light
			20	620204731	CHD30 left side flange
			21	620204266	Coin mech label

# CHD22 and CHD30 Service Parts

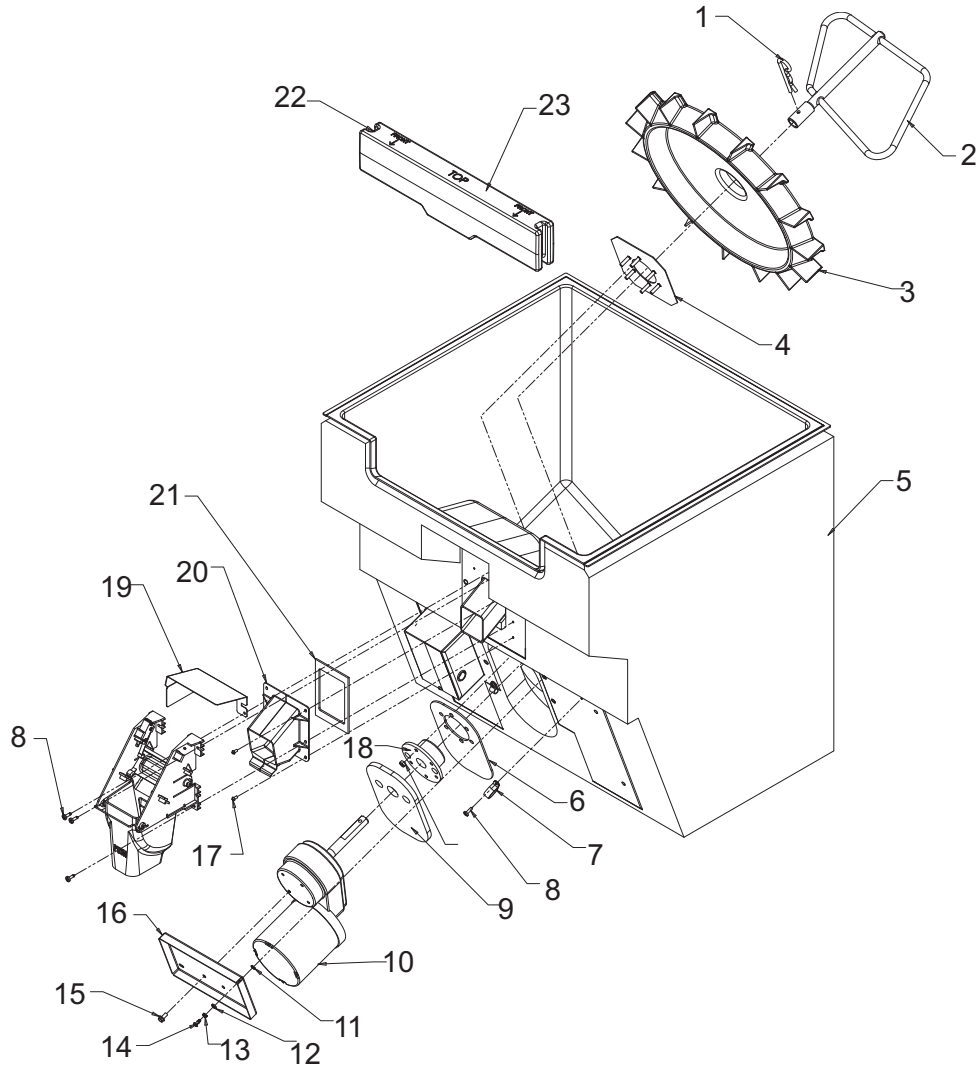
## Side, Back and Interior Panels



Item Number	Part Number	Description	Item Number	Part Number	Description
1	620204720	Screw	12	620204211	Drain hose
2	620204279	CHD30 back panel	13	620204274	Drain pan, assembled
	620204203	HD22 back panel	14	620204176	Wire clamp (coin mech)
3	620204278	Right side panel, includes mounting hardware	15	620204194	Switch plate top
4	620204220	Screw	15a	620204193	Switch plate
5	620204281	Bin support, right	16	620204722	Switch, interlock
	620204280	Bin support, left	17	620204271	Left side panel, includes mounting hardware
6	620204178	Drain fitting	18	620204230	Plastic nut
7	620204187	Catch pan support	19	620204227	Strike (ball stud)
8	620204190	CHD30 base stiffener	20	620204228	Insert
	620204191	CHD22 base stiffener	21	620204257	Terminal cover
9	620204721	Screw	22	620204183	CHD30 support bracket
10	620204179	Hose clamp		620204184	CHD22 support bracket
11	620204175	Hose clamp	23	620204267	Motor capacitor
			24	620204270	Strap

# CHD22 and CHD30 Service Parts

## Dispensing Components

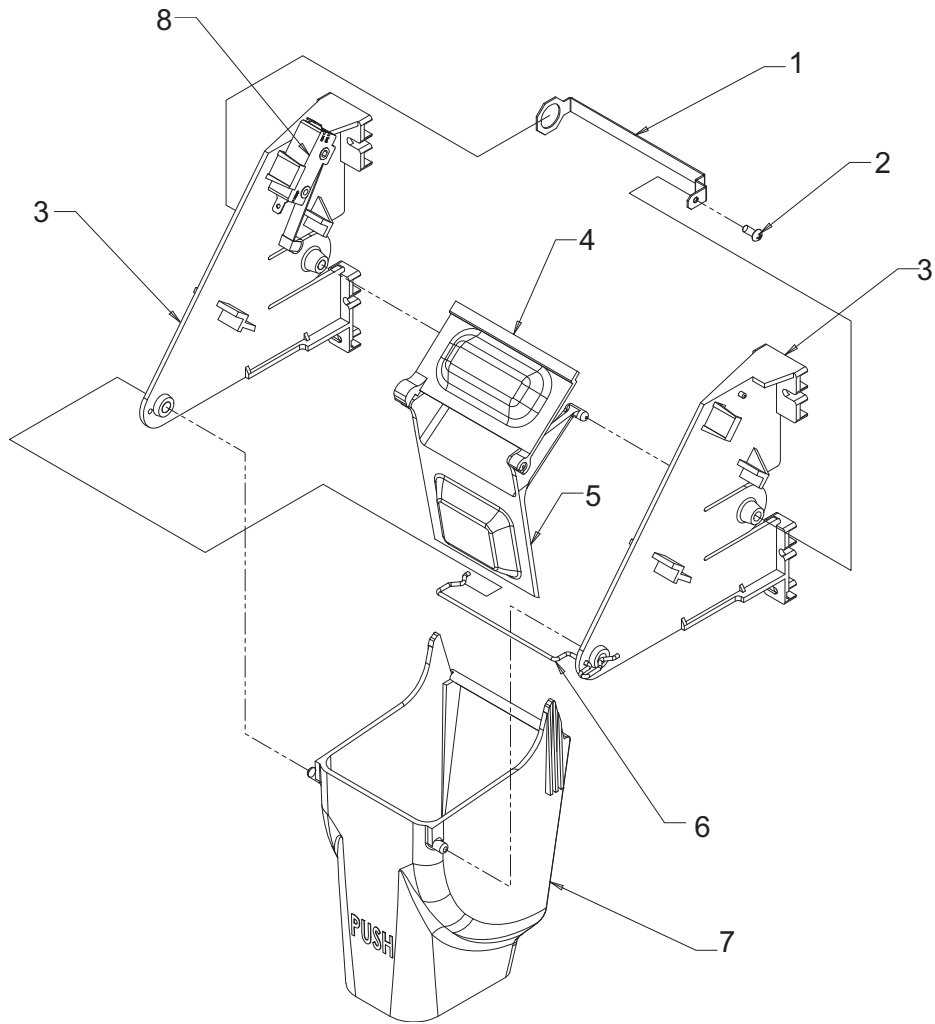


Item Number	Part Number	Description	Item Number	Part Number	Description
1	620204232	Hitch pin	11	620204725	Retainer
2	620204212	Sweep arm	12	620204226	Cupped washer
3	620204723	Dispense rotor	13	620204225	Spring
4	620204732	Hub plate	14	620204233	¼ turn stud
5	620204272	CHD30 bin assembly	15	620204721	Screw
	620204273	CHD22 bin assembly	16	620204186	Mounting plate
6	620204260	Insulation pad	17	620204720	Screw
7	620204235	Loop clamp	18	620204733	Hub
8	620204724	Screw	19	620204196	Switch guard
9	620204259	Insulation for hub	20	620204201	Spout
10	620204253	Dispense gearmotor, dual voltage	21	620204219	Gasket
			22	620204268	Gasket, 4" each end
			23	620204185	Bin door



# CHD22 and CHD30 Service Parts

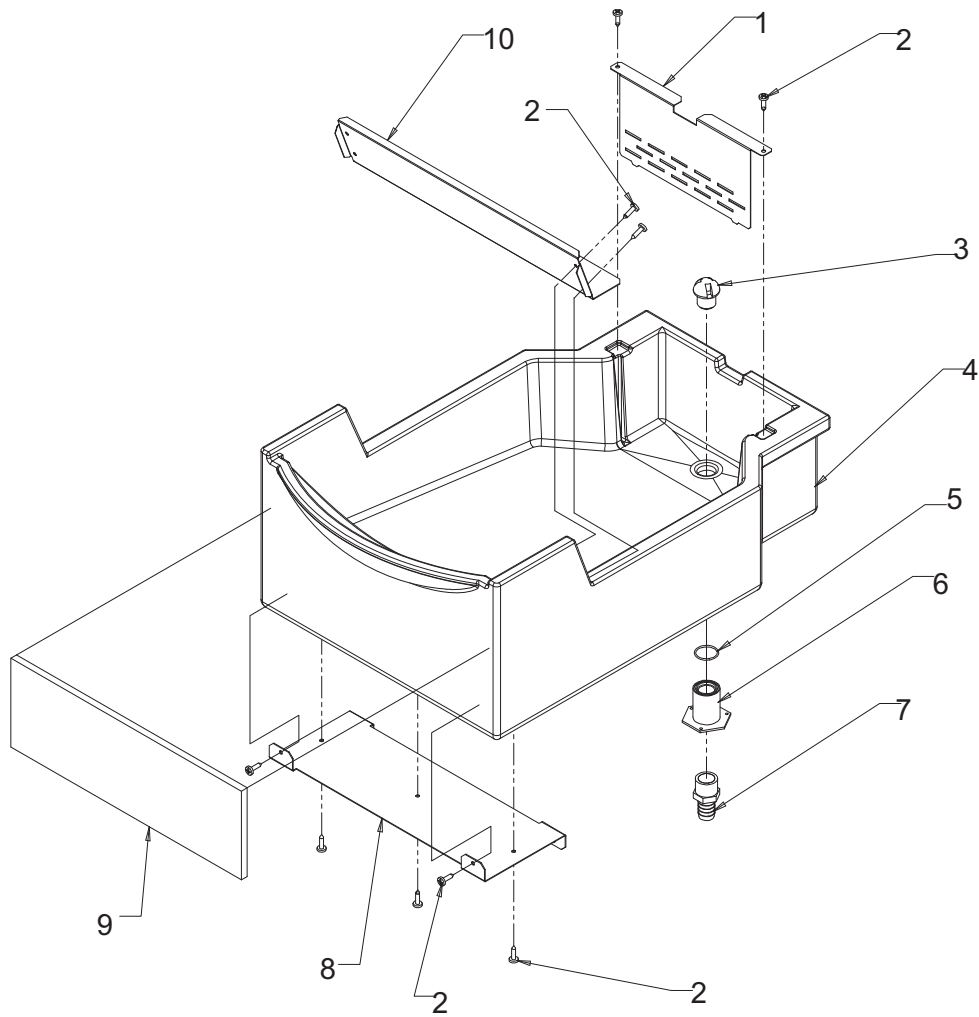
## Ice Chute Mechanism



Item Number	Part Number	Description
1	620204199	Clip
2	620204720	Screw
3	620204192	Bracket
4	620204182	Door lock
5	620204181	Door
6	620204206	Wire
7	620204180	Dispense chute
8	620204240	Vend switch

# CHD22 and CHD30 Service Parts

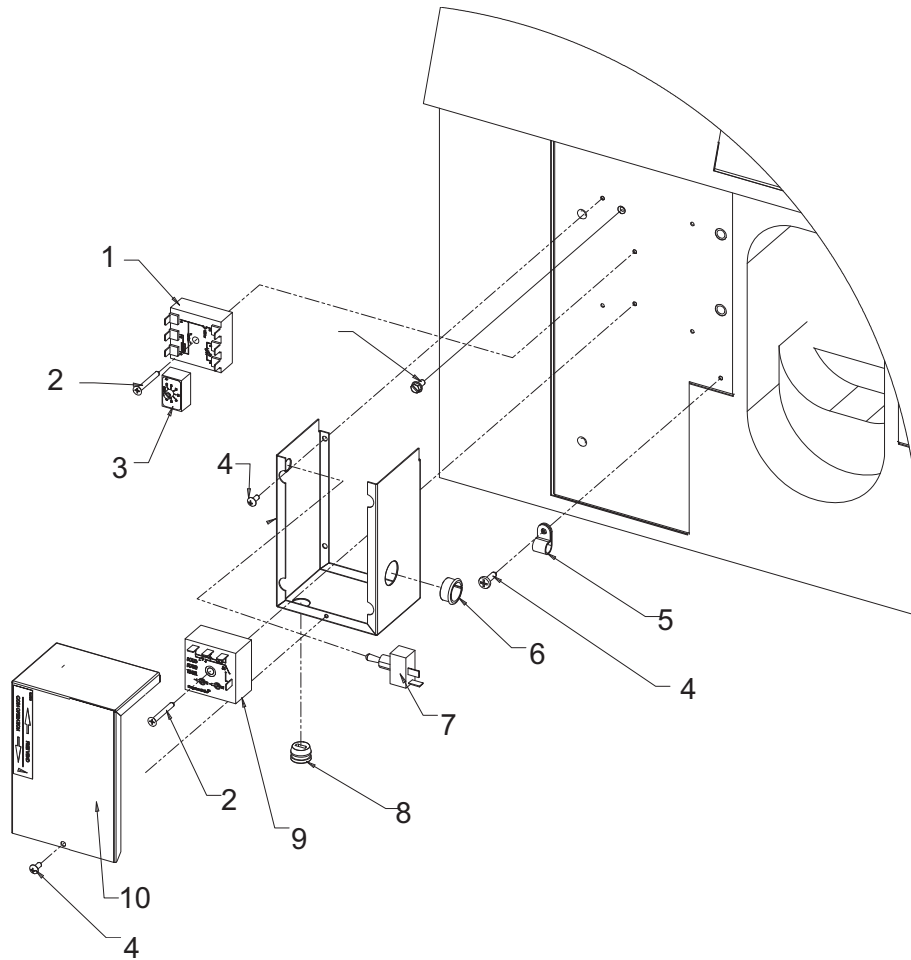
## Ice Catch Pan



Item Number	Part Number	Description
1	620204283	Screen
2	620204726	Screw
3	620204174	Drain top
4	620204727	Complete assembly as shown
5	620204256	O-ring
6	620204177	Drain bottom
7	620204263	Drain fitting
8	620204198	Drain pan bracket
9	620204218	Foam pad
10	620204197	Drain guard

# CHD22 and CHD30 Service Parts

## Control Box



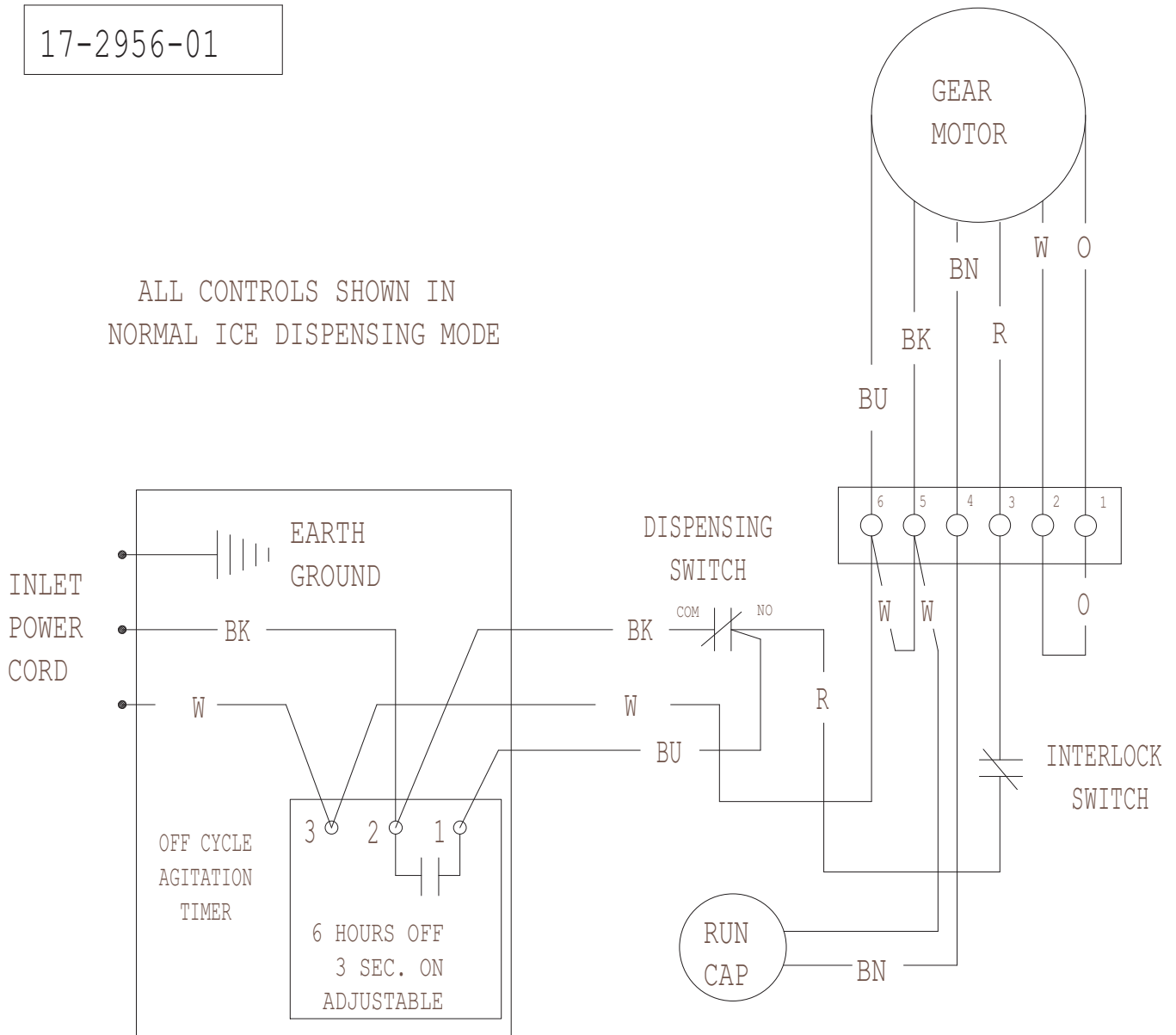
Item Number	Part Number	Description	Not shown	Part Number	Description
1	620204244	Coin mech timer	11	620204241	60 Hz harness, basic and water
2	620204223	Screw		620204246	Coin mech harness
3	620204245	Adjustment module		620204254	50 Hz harness
4	620204720	Screw	12	620204239	115 volt power cord
5	620204234	Loop clamp		620204238	230 volt power cord
6	620204728	Snap bushing			
7	620204729	Free vend switch			
8	620204236	Strain relief			
9	620204242	60 Hz off cycle timer			
	620204243	50 Hz off cycle timer			
10	620204282	Control box cover			

# CHD22 and CHD30 Service Parts

## Wiring Diagram, 115 volt, 60 Hz Basic and Water Station

17-2956-01

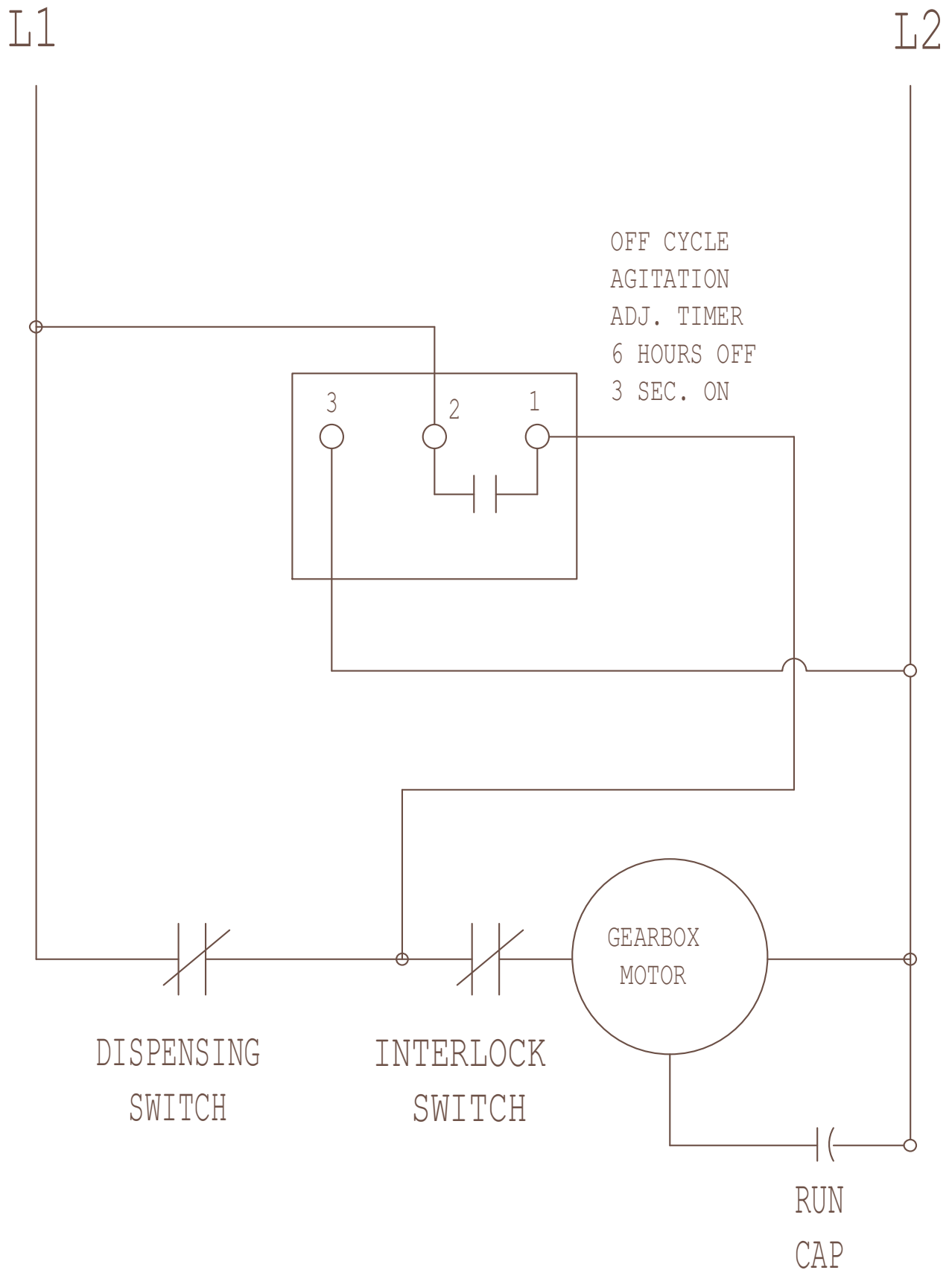
ALL CONTROLS SHOWN IN  
NORMAL ICE DISPENSING MODE



USE COPPER CONDUCTORS ONLY

# CHD22 and CHD30 Service Parts

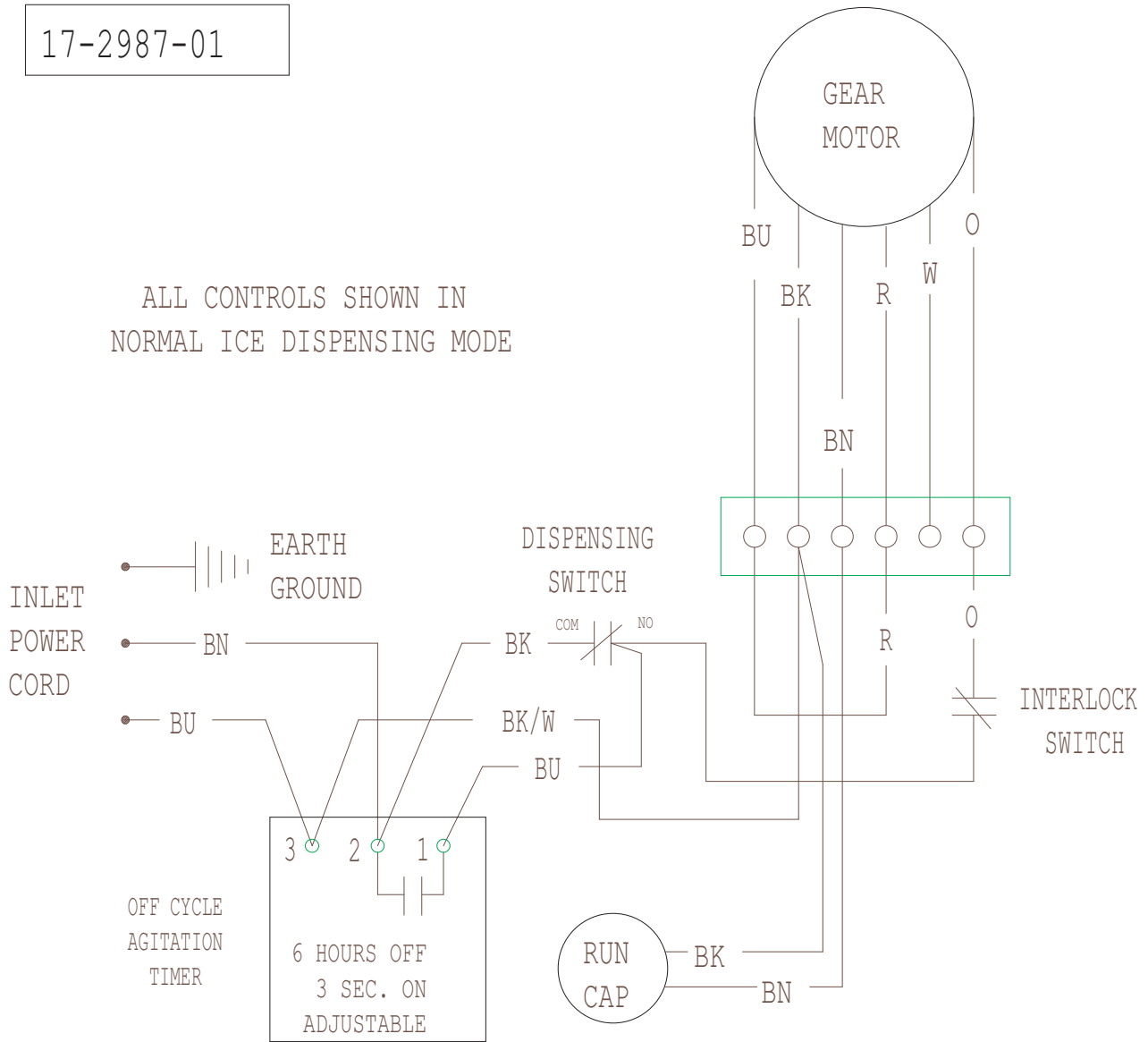
## Schematic Diagram, Basic and Water Station Models



# CHD22 and CHD30 Service Parts

## Wiring Diagram, 230 volt, 50 Hz Basic

17-2987-01

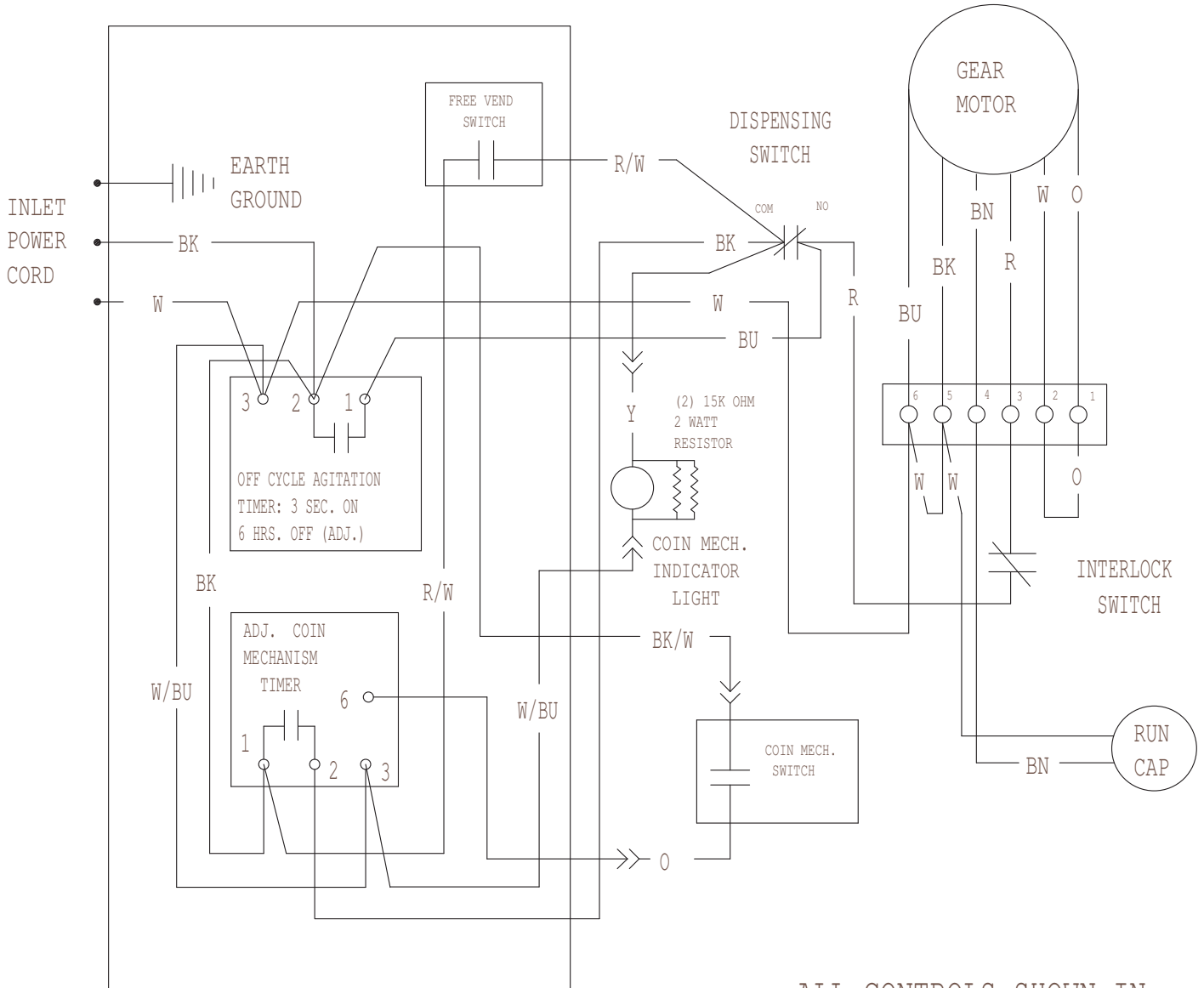


USE COPPER CONDUCTORS ONLY

# CHD22 and CHD30 Service Parts

## Wiring Diagram for Coin Mechanism Model

17-2967-01



USE COPPER CONDUCTORS ONLY

ALL CONTROLS SHOWN IN  
NORMAL ICE DISPENSING MODE

# CHD22 and CHD30 Service Parts

## Schematic Diagram for Coin Mechanism Model

